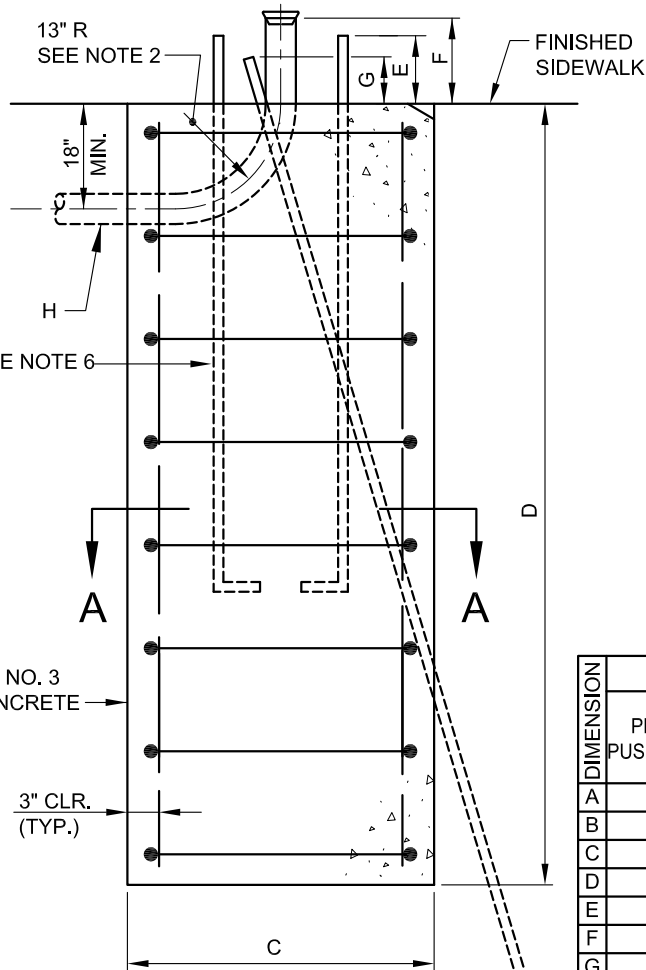
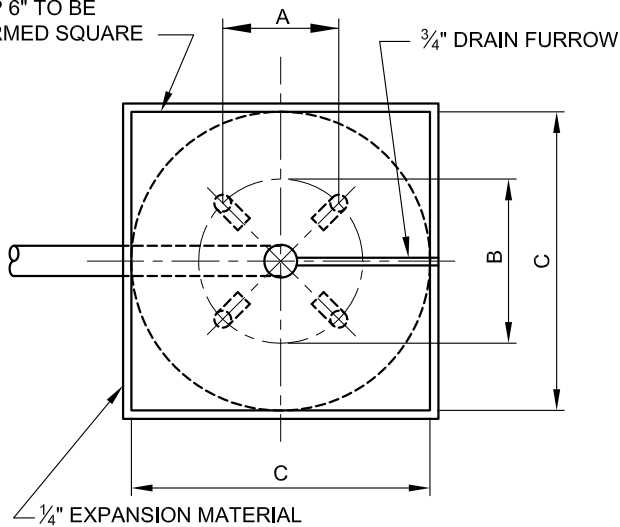
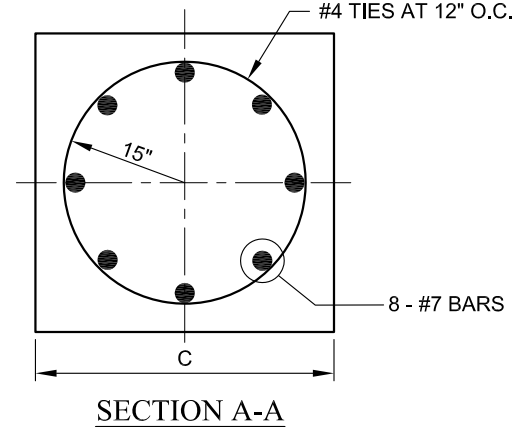


TOP 6" TO BE FORMED SQUARE



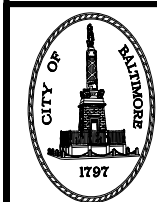
NOTES:

1. THE BASE EXCAVATION FOR STRAIN POLES AND MAST ARM POLES MAY BE AUGERED WITH A 3 FOOT DIAMETER AUGER PROVIDED THE TOP SIX INCHES OF THE BASE ARE BLOCKED SQUARE.
2. STANDARD PVC CONDUIT ELBOW ENCASED IN CONCRETE.
3. WHERE FOUNDATIONS ARE CONSTRUCTED OUTSIDE OF SIDEWALK AREAS, THE TOP OF THE FOUNDATION SHALL BE CONSTRUCTED TO AN ELEVATION ONE INCH ABOVE THE FINISHED GRADE AND A ONE INCH CHAMFER SHALL BE FORMED AROUND THE OUTSIDE EDGE.
4. BLOCK OUT NEW BASE WITH A 1/4 INCH EXPANSION MATERIAL (SEE BC 655.01)
5. POLES TO BE THREE FEET BACK OF FACE OF CURB UNLESS OTHERWISE NOTED.
6. FOR ANCHOR BOLT DIMENSIONS REFER TO STANDARD ANCHOR BOLTS DETAIL.
7. THE TOPS OF ALL ANCHOR BOLTS ARE TO BE LEVEL.
8. REINFORCING STEEL NOT REQUIRED FOR PEDESTAL AND PUSH BUTTON POST BASES.
9. GROUNDS FOR PEDESTAL AND PUSH BUTTON FOUNDATIONS CARRIED TO MAIN CONTROL POLE.



DIMENSION	DIMENSION SCHEDULE			
	PEDESTAL AND PUSH BUTTON POST	STRAIN POLE AND LIGHT DUTY MAST ARM POLE	MAST ARM POLE	INNER HARBOR POLE
A	5 3/4"	10 5/8"	14 1/8"	14 1/8"
B	8 1/8"	15"	20"	20"
C	18"	36"	36"	36"
D	36"	9'-6"	9'-6"	9'-6"
E	4"	7 1/2"	7 1/2"	6 1/2"
F	6"	8"	8"	8"
G	6"	6"	6"	8"
H	3"	4"	4"	4"

MINIMUM 10' x 3/4" COPPER CLAD GROUND ROD CONFORMING TO THE NATIONAL ELECTRIC CODE



APPROVED:
Primal Dev...
 DIVISION CHIEF, TRANSPORTATION ENGINEERING AND CONSTRUCTION
Khalil Z...
 DIRECTOR, DEPARTMENT OF TRANSPORTATION

CITY OF BALTIMORE
 DEPARTMENT OF TRANSPORTATION
 TRANSPORTATION ENGINEERING AND CONSTRUCTION

POLE, POST AND PEDESTAL FOUNDATION DETAILS - TRAFFIC

ISSUED	REVISED	REVISED
8 / 2010	10-9-86	

STANDARD NO.
 BC 887.01

SCALE : NONE SHEET 1 OF 1