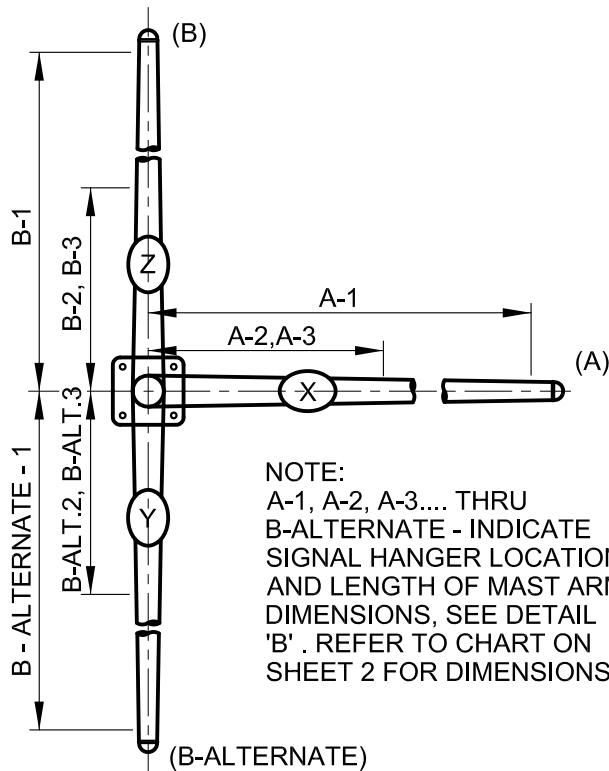
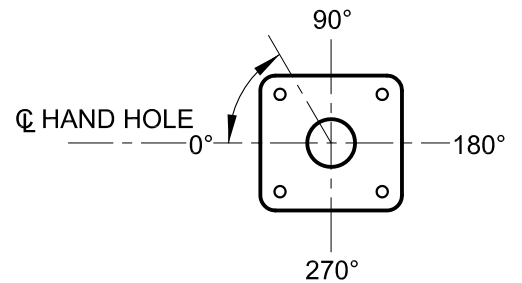


BASE PLATE DETAIL



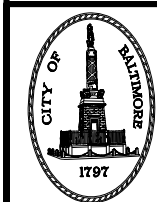
NOTE:  
 A-1, A-2, A-3.... THRU  
 B-ALTERNATE - INDICATE  
 SIGNAL HANGER LOCATION  
 AND LENGTH OF MAST ARM  
 DIMENSIONS, SEE DETAIL  
 'B'. REFER TO CHART ON  
 SHEET 2 FOR DIMENSIONS.

MAST ARM DETAIL



ARM LOCATION DETAIL (TYP.)

ALL ANGLES MEASURED  
 CLOCKWISE FROM  $\text{C}$  HANDHOLE  
 LOCATION (@ 0°)



APPROVED:  
*Primal Dev...*  
 DIVISION CHIEF, TRANSPORTATION ENGINEERING  
 AND CONSTRUCTION  
*Khalil Z...*  
 DIRECTOR, DEPARTMENT OF TRANSPORTATION

CITY OF BALTIMORE  
 DEPARTMENT OF TRANSPORTATION  
 TRANSPORTATION ENGINEERING AND  
 CONSTRUCTION

**GALVANIZED STEEL  
 MAST ARM POLE**

ISSUED	REVISED	REVISED
8 / 2010		
STANDARD NO. BC 880.06-3		
SCALE : NONE	SHEET 3 OF 3	