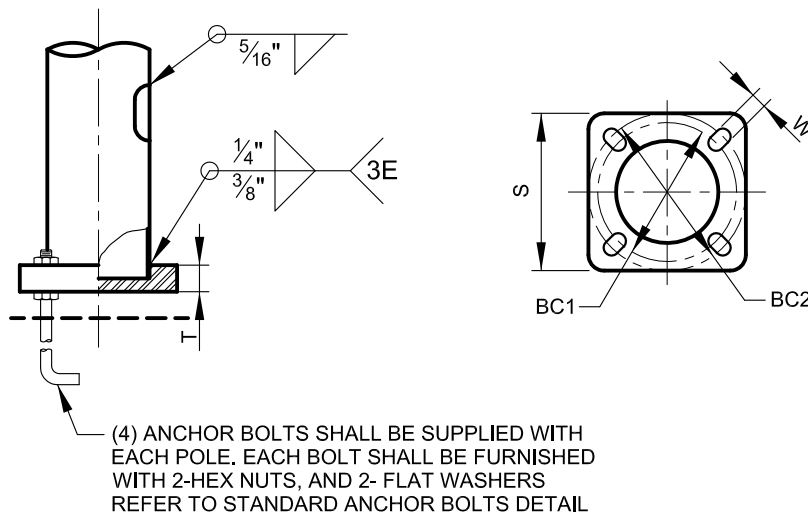
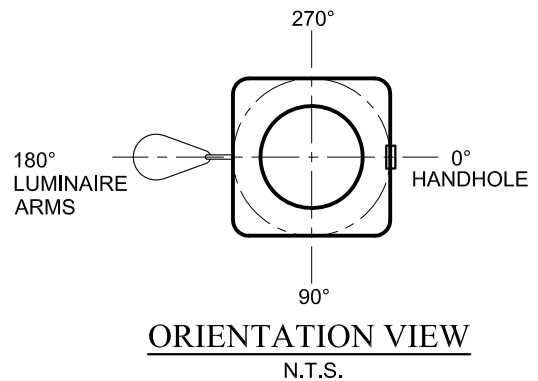


**LUMINAIRE ARM CONNECTION DETAIL**  
(2) SIMPLEXES



**BASE PLATE DETAIL**  
N.T.S.

BASE PLATE DIMENSION SCHEDULE				
BC1	BC2	W	S	T
12 1/2"	15"	1 3/4"	15 5/8"	1 3/4"



**ORIENTATION VIEW**  
N.T.S.



APPROVED:  
*Bimal DeWah*  
DIVISION CHIEF, TRANSPORTATION ENGINEERING AND CONSTRUCTION  
*Khalil Zare*  
DIRECTOR, DEPARTMENT OF TRANSPORTATION

CITY OF BALTIMORE  
DEPARTMENT OF TRANSPORTATION  
TRANSPORTATION ENGINEERING AND  
CONSTRUCTION

**MULTI-PURPOSE POLE**

ISSUED	REVISED	REVISED
8 / 2010		
<b>STANDARD NO.</b> BC 880.05-2		
SCALE : NONE	SHEET 2 OF 2	