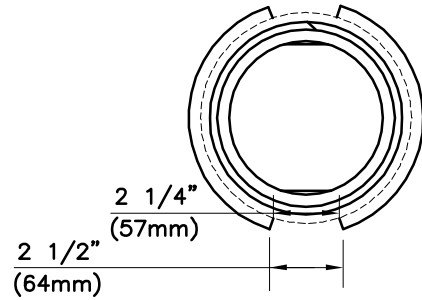
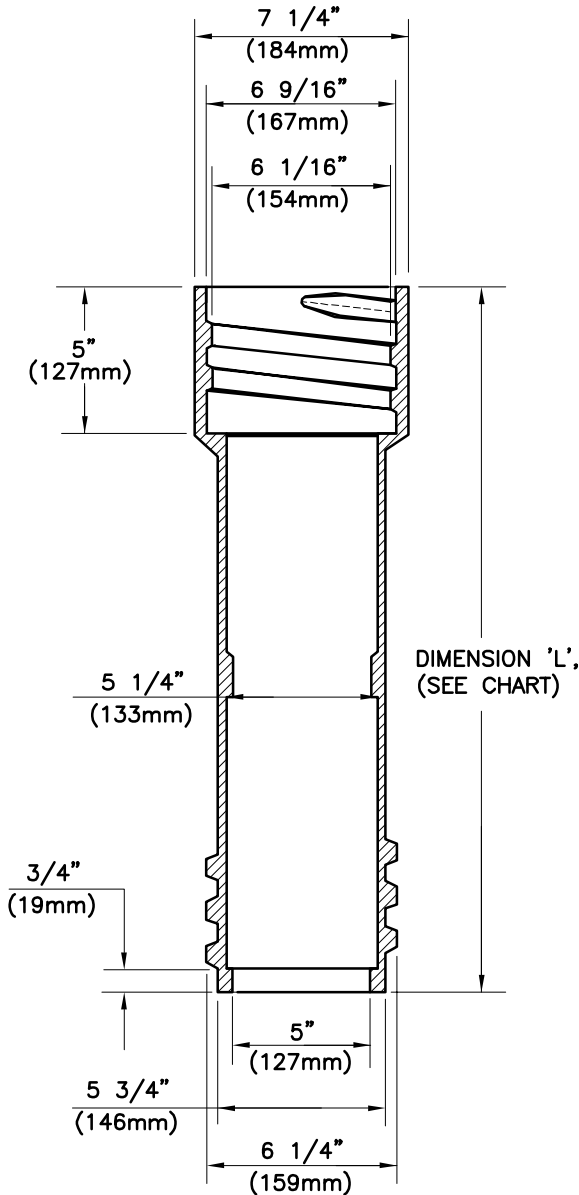


EXTENSION MODEL	DIMENSION 'L'
14-INCH EXTENSION	18" (457mm)
18-INCH EXTENSION	24" (610mm)
24-INCH EXTENSION	30" (762mm)

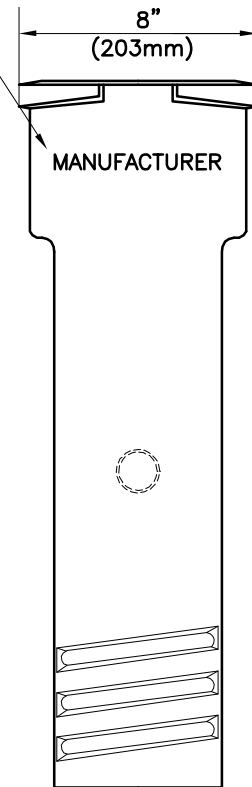


SIDE VIEW

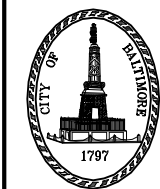


SECTION

CASTING REQUIREMENTS:
MANUFACTURER'S NAME/INITIALS



SIDE VIEW



APPROVED:
[Signature]
HEAD, BUREAU OF WATER AND WASTEWATER
[Signature]
DIRECTOR, DEPARTMENT OF PUBLIC WORKS

CITY OF BALTIMORE
DEPARTMENT OF PUBLIC WORKS
BUREAU OF WATER AND WASTEWATER

7 1/2" ROADWAY BOX EXTENSION

ISSUED	REVISED	REVISED
3 / 2008		

STANDARD NO.
BC 872.01

SCALE : NONE

SHEET 3 OF 6