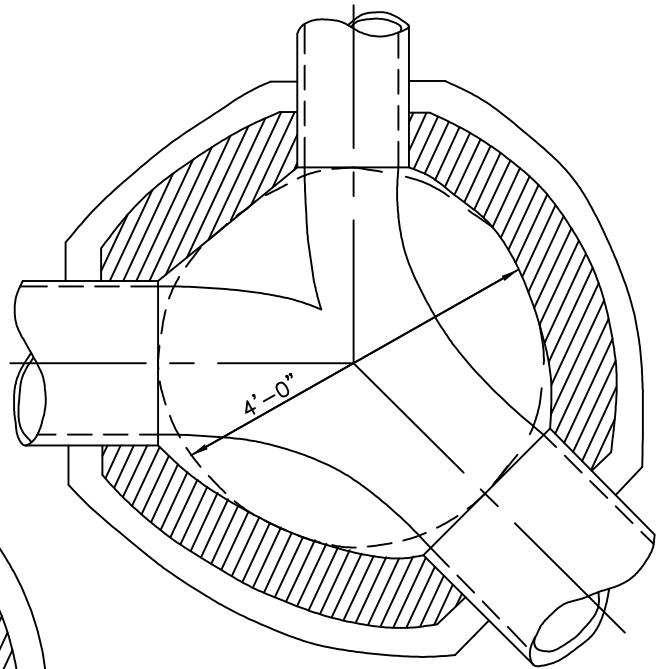
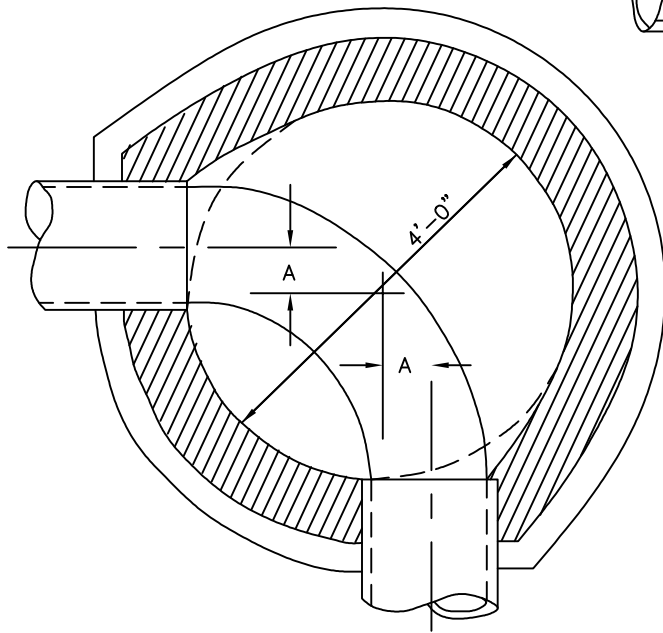


STANDARD CHANNEL NO.3

BENCH HEIGHT ABOVE OUTGOING PIPE  
INVERT TO BE EQUAL TO DIAMETER OF  
OUTGOING PIPE



STANDARD CHANNEL NO. 4



STANDARD CHANNEL NO. 5  
(FOR 8",10", 12" AND 15" PIPE SEWERS)

NOTE:  
A = 3" FOR 8" AND 10" PIPE SEWERS  
A = 6" FOR 12" AND 15" PIPE SEWERS



APPROVED :  
*[Signature]*  
HEAD, BUREAU OF WATER AND WASTEWATER  
*[Signature]*  
DIRECTOR, DEPARTMENT OF PUBLIC WORKS

CITY OF BALTIMORE  
DEPARTMENT OF PUBLIC WORKS  
BUREAU OF WATER AND WASTEWATER

TYPICAL MANHOLE CHANNELS  
STANDARD CHANNEL NO. 3  
STANDARD CHANNEL NO. 4  
STANDARD CHANNEL NO. 5

ISSUED	REVISED	REVISED
3 / 2008		
<b>STANDARD NO. BC 831.36</b>		
SCALE : NONE		SHEET 1 OF 1