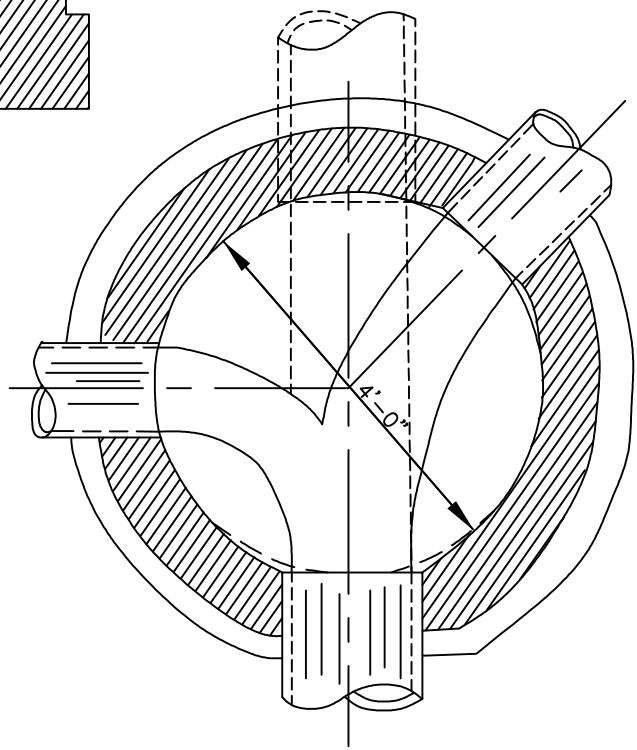


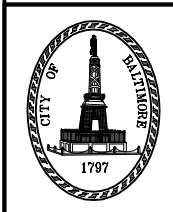
BENCH HEIGHT ABOVE OUTGOING PIPE  
INVERT TO BE EQUAL TO DIAMETER OF  
OUTGOING PIPE

MIN. SLOPE OF BENCH 1" PER FOOT

SECTION A-A  
STANDARD CHANNEL NO. 1



STANDARD CHANNEL NO. 2



APPROVED :  
*[Signature]*  
 HEAD, BUREAU OF WATER AND WASTEWATER  
*[Signature]*  
 DIRECTOR, DEPARTMENT OF PUBLIC WORKS

CITY OF BALTIMORE  
 DEPARTMENT OF PUBLIC WORKS  
 BUREAU OF WATER AND WASTEWATER  
 TYPICAL MANHOLE CHANNELS  
 STANDARD CHANNEL NO. 1  
 STANDARD CHANNEL NO. 2

ISSUED	REVISED	REVISED
3 / 2008		
<b>STANDARD NO. BC 831.35</b>		
SCALE : NONE		SHEET 1 OF 1