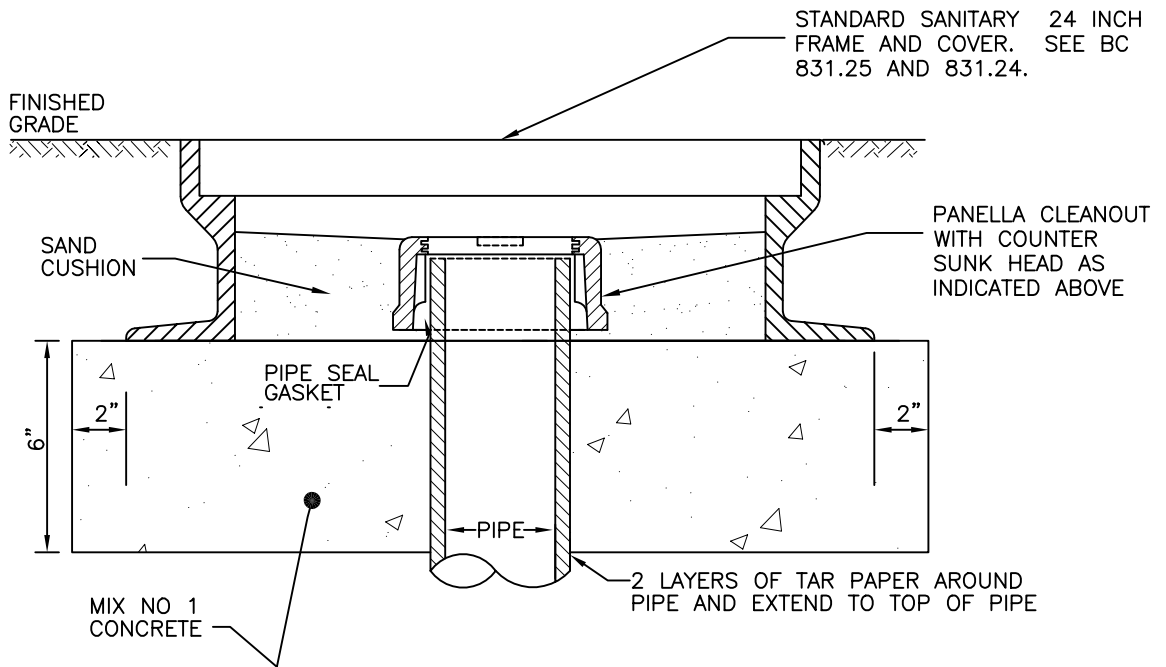


DETAIL FOR SIDEWALK AREA ONLY

DETAIL FOR NON-TRAFFIC AREA ONLY



DETAIL FOR ROADWAY AREA ONLY



APPROVED :
[Signature]
 HEAD, BUREAU OF WATER AND WASTEWATER
[Signature]
 DIRECTOR, DEPARTMENT OF PUBLIC WORKS

CITY OF BALTIMORE
 DEPARTMENT OF PUBLIC WORKS
 BUREAU OF WATER AND WASTEWATER

CLEANOUT COVER
 ASSEMBLY

ISSUED	REVISED	REVISED
3 / 2008		
STANDARD NO. BC 831.29		
SCALE : NONE		SHEET 1 OF 1