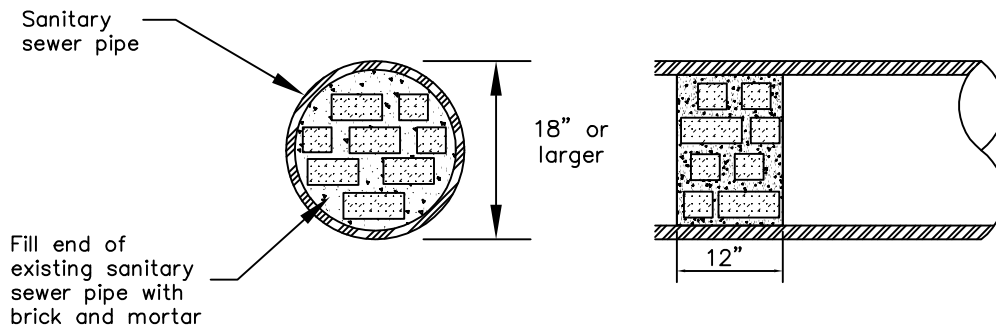



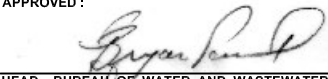

MANHOLE ABANDONMENT



BRICK BULKHEAD

Notes:

1. Remove frame and cover, plug incoming and outgoing pipes, tear down manhole walls 1 ft. below existing grade and fill manhole with select backfill using Crusher Run Aggregate CR-6.
2. For sewers 15" and smaller use mechanical plugs for plugging pipe. For sewers 18" and larger a 12" thick masonry bulkhead may be substituted for mechanical plug.

	APPROVED :  HEAD, BUREAU OF WATER AND WASTEWATER	CITY OF BALTIMORE DEPARTMENT OF PUBLIC WORKS BUREAU OF WATER AND WASTEWATER	ISSUED	REVISED	REVISED
	 DIRECTOR, DEPARTMENT OF PUBLIC WORKS		MANHOLE ABANDONMENT	3 / 2008	
				STANDARD NO. BC 831.10	
			SCALE : NONE		SHEET 1 OF 1