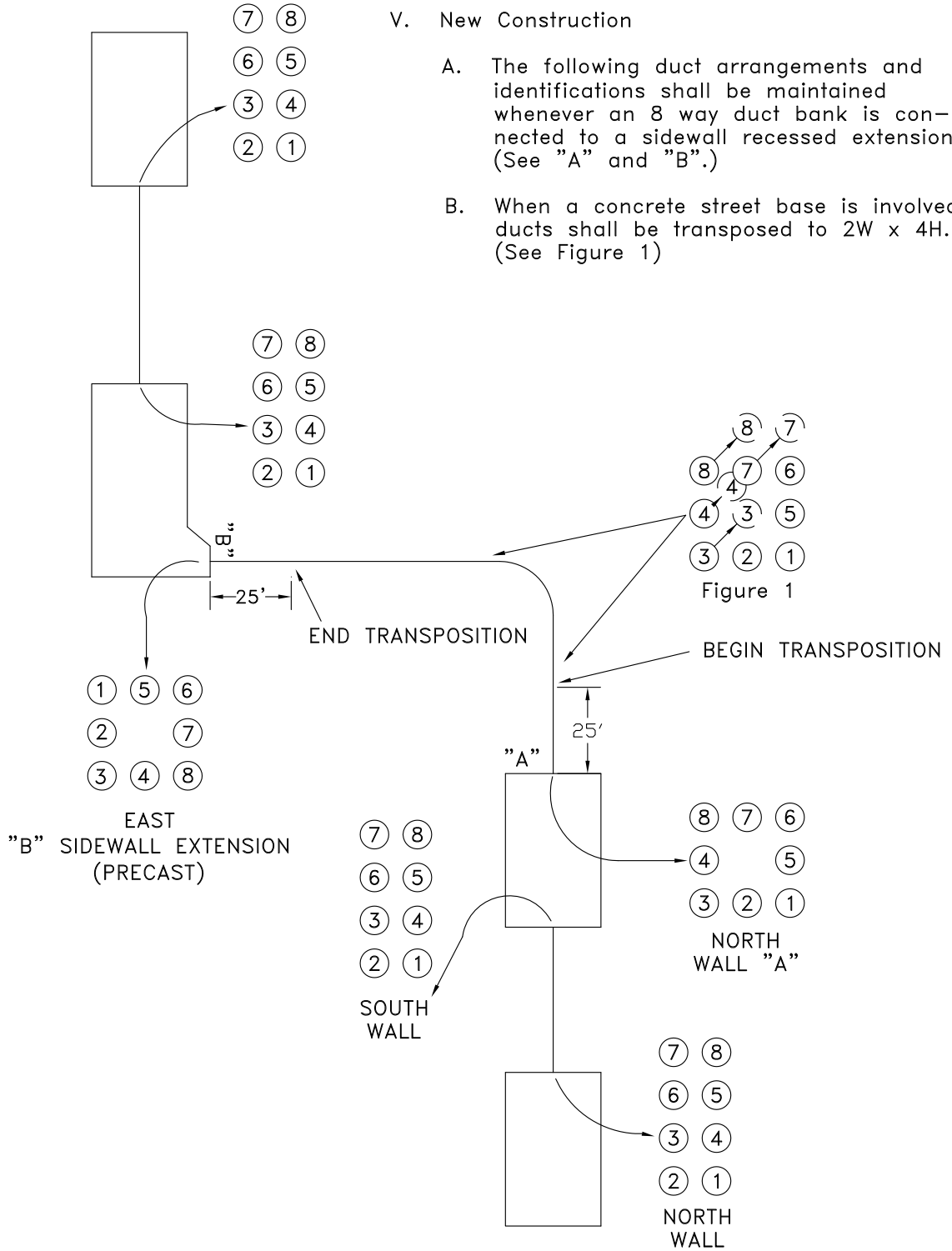

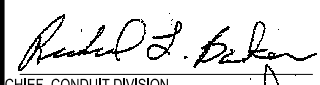
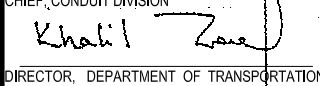


DUCT IDENTIFICATION



	APPROVED:  CHIEF, CONDUIT DIVISION	CITY OF BALTIMORE DEPARTMENT OF TRANSPORTATION CONDUIT DIVISION	ISSUED	REVISED	REVISED
	 DIRECTOR, DEPARTMENT OF TRANSPORTATION	DUCT IDENTIFICATION	8 / 2010		
			STANDARD NO. BC 830.01-6		
			SCALE: NONE	SHEET 6 OF 6	