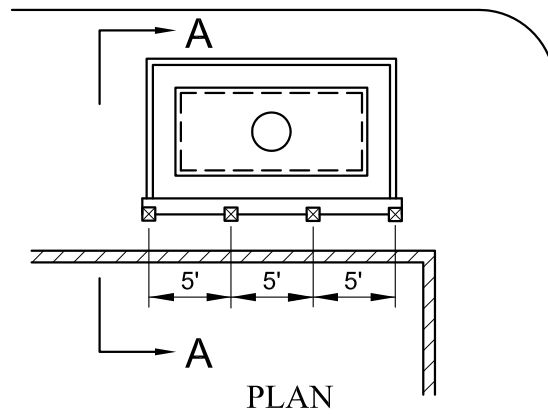



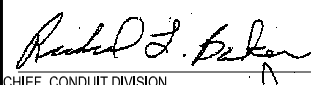
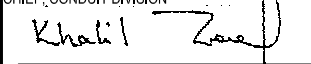
SECTION A-A



PLAN

NOTES:

- A. SOLDIER PILE BRACING IS REQUIRED ONLY WHERE UNDERMINING A BUILDING IS A CONSIDERATION. THIS POSSIBILITY EXISTS WHENEVER A 1' TO 1' SLOPE BEGINNING AT THE BUILDING FOUNDATION FLOOR OR FOOTING FALLS ABOVE THE BOTTOM OF THE PROPOSED EXCAVATION AS SHOWN BY LINE "D".
- B. PLACE W 14x26 STEEL WALE AT INTERSECTION OF 1' TO 1' SLOPE WITH EXCAVATION.
- C. W 6X8.5 BEAMS PLACED IN A 12" AUGURED HOLE AND GROUTED.
- D. THE CONSTRUCTION DRAWING PREPARED FOR A SPECIFIC INSTALLATION SHALL CLEARLY INDICATE THE EXCAVATION DISTANCE FROM NEAREST ADJACENT BUILDING AND DEPTH OF THIS BUILDINGS BASEMENT OR FOOTING.
- E. ALL SHORING AND BRACING TO REMAIN IN PLACE.
- F. BACKFILL WITH SPECIAL BANK RUN SAND AND GRAVEL, COMPACT IN LAYERS SPECIFIED BY LOCAL GOVERNMENTAL SUB DIVISION.

	APPROVED:  CHIEF, CONDUIT DIVISION	CITY OF BALTIMORE DEPARTMENT OF TRANSPORTATION CONDUIT DIVISION	ISSUED 8 / 2010	REVISED	REVISED
	 DIRECTOR, DEPARTMENT OF TRANSPORTATION	SOLDIER PILE BRACING FOR PRECAST MANHOLE	STANDARD NO. BC 825.10	SCALE : NONE	SHEET 1 OF 1