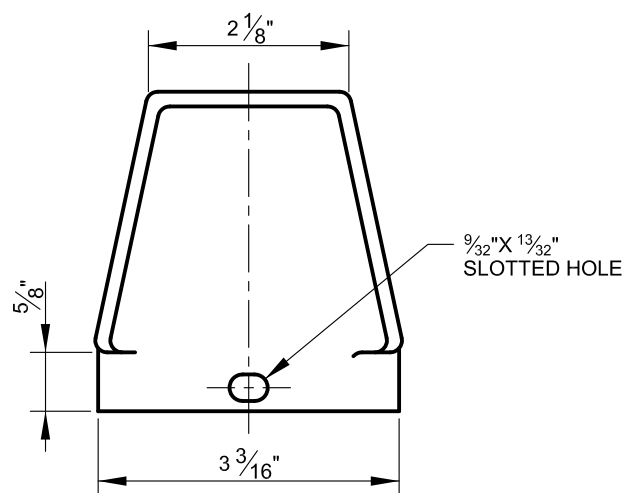
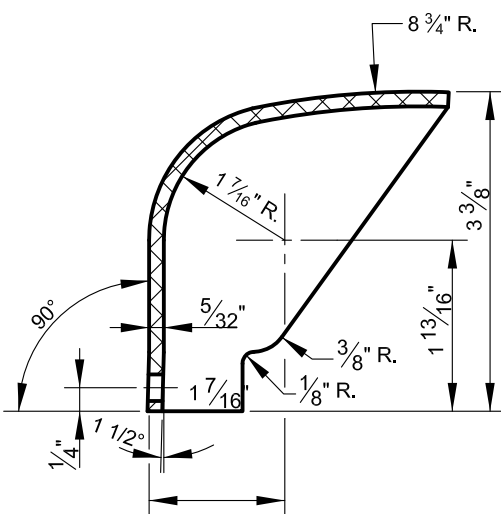

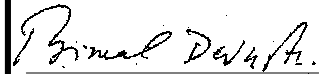
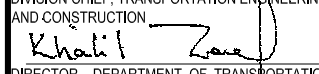


	'A' DIMENSION	'B' DIMENSION	'C' DIMENSION
11'-6" POLE	7.05"	7.404"	11" SQUARE
25' POLE	8.05"	8.404"	12" SQUARE
30' POLE	8.05"	8.404"	12" SQUARE



**BOLT COVER DETAILS**

	APPROVED:  DIVISION CHIEF, TRANSPORTATION ENGINEERING AND CONSTRUCTION  DIRECTOR, DEPARTMENT OF TRANSPORTATION	<b>CITY OF BALTIMORE</b> <b>DEPARTMENT OF TRANSPORTATION</b> <b>TRANSPORTATION ENGINEERING AND CONSTRUCTION</b>	ISSUED 8 / 2010	REVISED  	REVISED  
	<b>BASE PLATE FOR 11'-6", 25' &amp; 30' POLES, DETAIL OF BOLT COVER</b>			<b>STANDARD NO.</b> <b>BC 808.15-2</b>	
			SCALE : NONE	SHEET 2 OF 2	