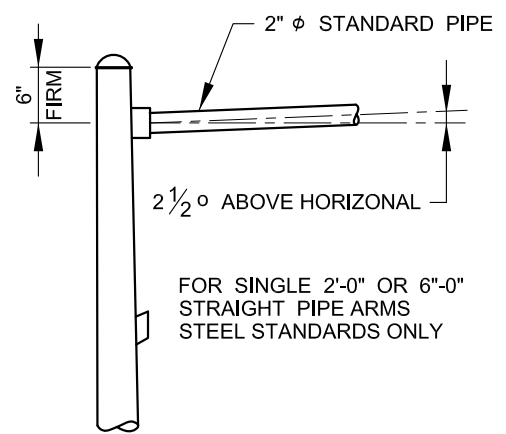
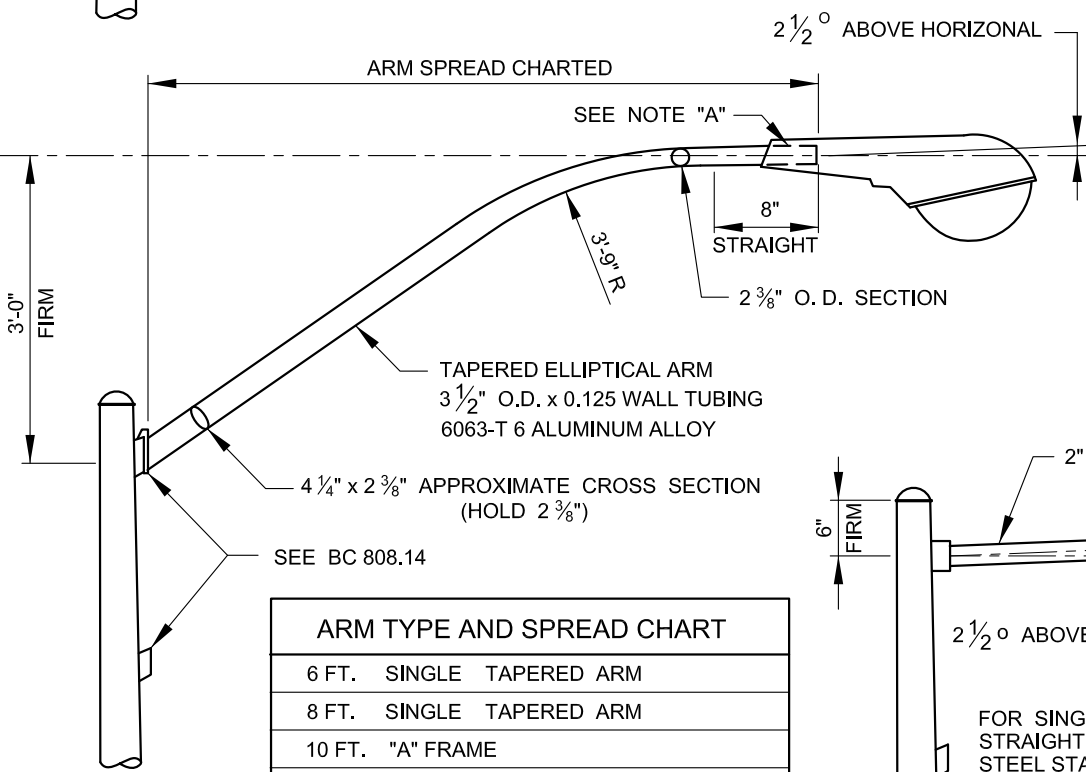


NOTE "A"
 FOR 2" SLIP FIT LUMINAIRES WITH
 MAXIMUM DESIGN WEIGHT 75 LBS.
 MAXIMUM PROJ. AREA OF 3 SQUARE FEET



FOR SINGLE 2'-0" OR 6'-0"
 STRAIGHT PIPE ARMS
 STEEL STANDARDS ONLY

CHARLES CENTER POLES ONLY

ARM TYPE AND SPREAD CHART	
6 FT.	SINGLE TAPERED ARM
8 FT.	SINGLE TAPERED ARM
10 FT.	"A" FRAME
12 FT.	"A" FRAME
15 FT.	"A" FRAME
18 FT.	"A" FRAME SPECIAL DESIGN
20 FT.	"A" FRAME SPECIAL DESIGN



APPROVED:
Primal Dev...
 DIVISION CHIEF, TRANSPORTATION ENGINEERING
 AND CONSTRUCTION
Khalil Z...
 DIRECTOR, DEPARTMENT OF TRANSPORTATION

CITY OF BALTIMORE
DEPARTMENT OF TRANSPORTATION
ENGINEERING AND CONSTRUCTION

TYPICAL POLE ARMS
FOR 25' AND 30' POLES

ISSUED	REVISED	REVISED
8 / 2010		
STANDARD NO. BC 808.04		
SCALE : NONE	SHEET 1 OF 1	