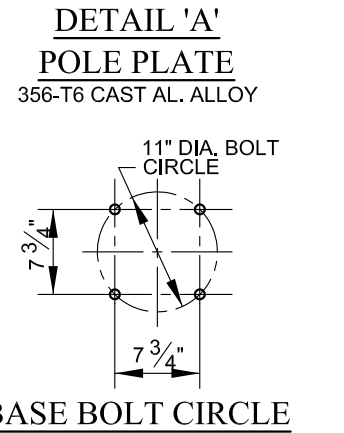
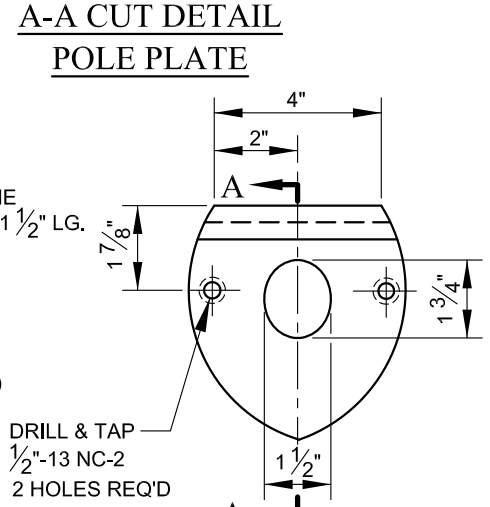
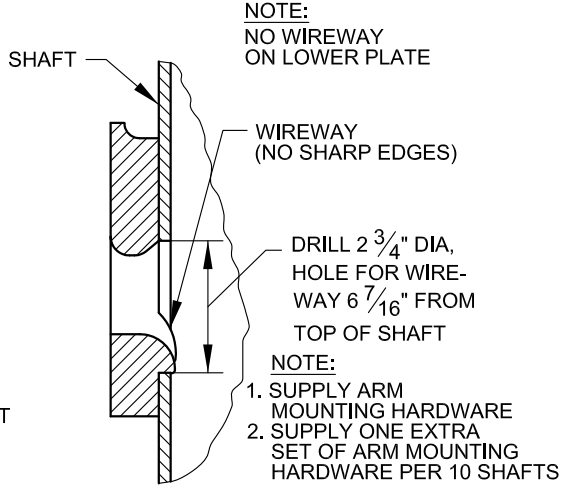
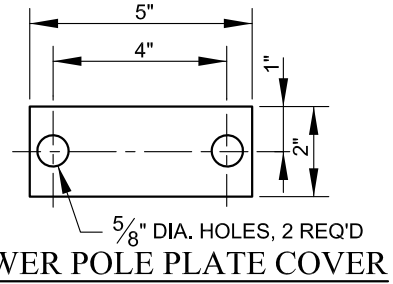
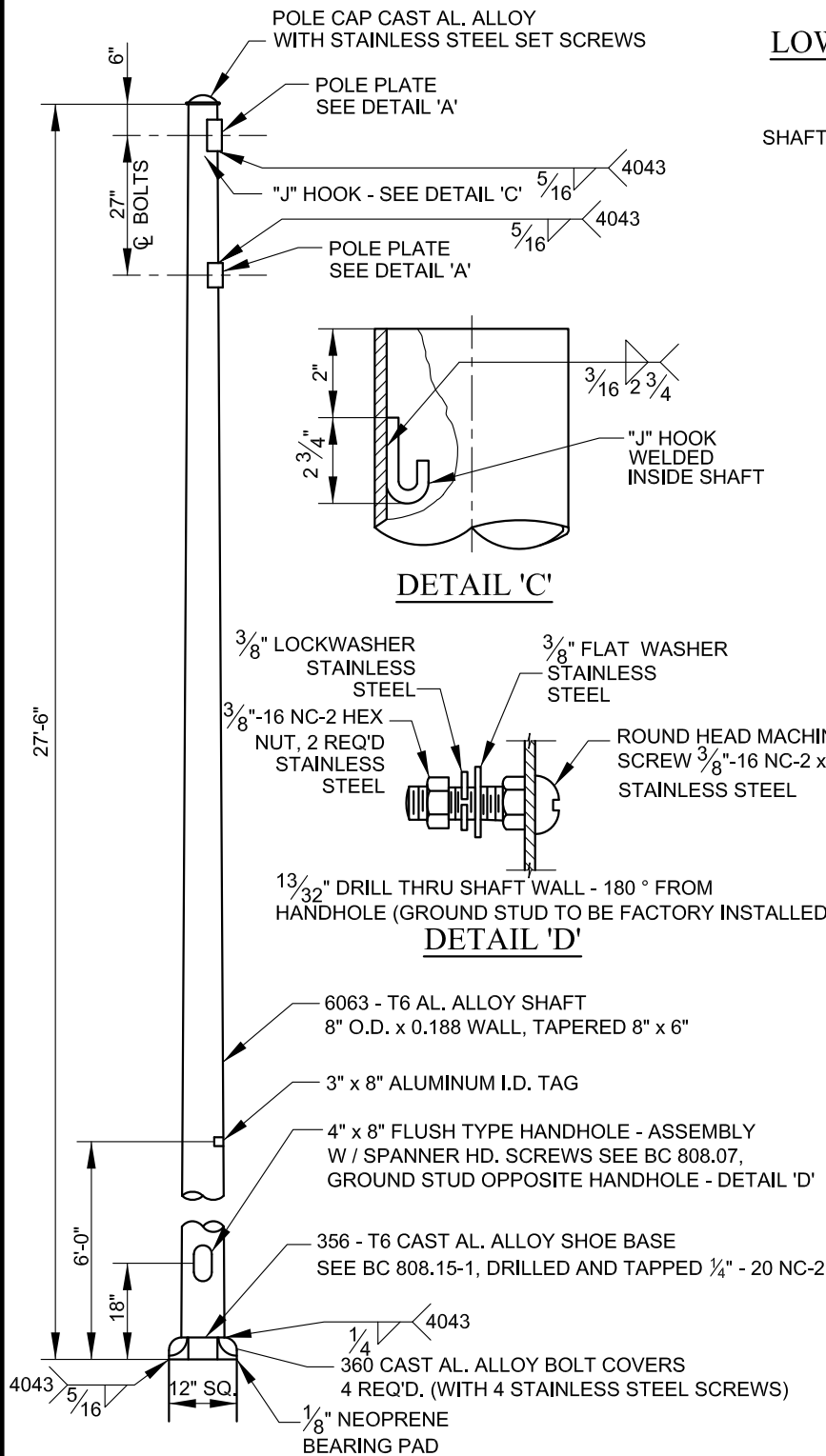



NOTE:
6063 ASSEMBLY .375 WALL OR LESS
TO BE HEAT TREATED AFTER WELDING

8" x 6" x 27'-6" 0.188 WALL THICKNESS



 <p>APPROVED: <i>Primal Dev...</i> DIVISION CHIEF, TRANSPORTATION ENGINEERING AND CONSTRUCTION <i>Khali Z...</i> DIRECTOR, DEPARTMENT OF TRANSPORTATION</p>	<p>CITY OF BALTIMORE DEPARTMENT OF TRANSPORTATION TRANSPORTATION ENGINEERING AND CONSTRUCTION</p>		ISSUED	REVISED	REVISED
	<p>TYPICAL LIGHT STANDARD 30' AW POLE</p>		8 / 2010		
	<p>SCALE : NONE</p>		<p>STANDARD NO. BC 808.02-1</p>		