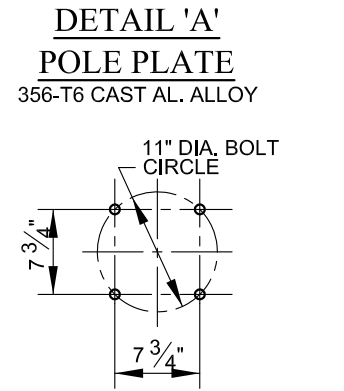
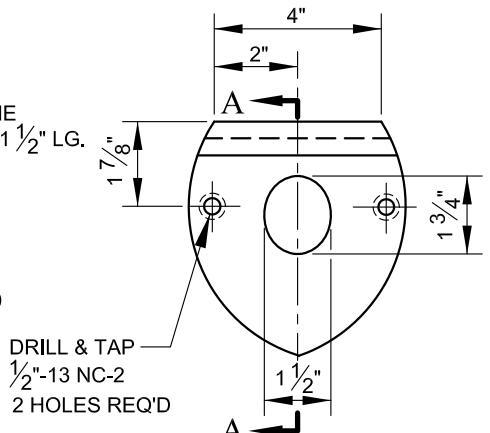
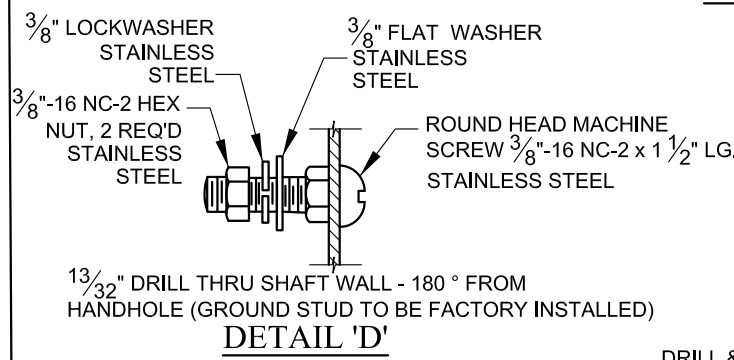
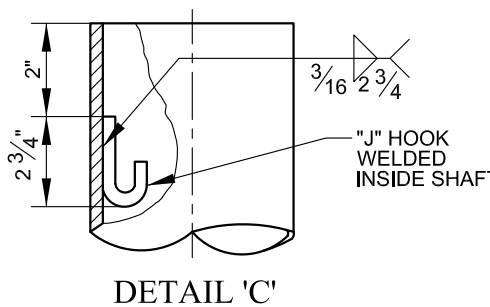
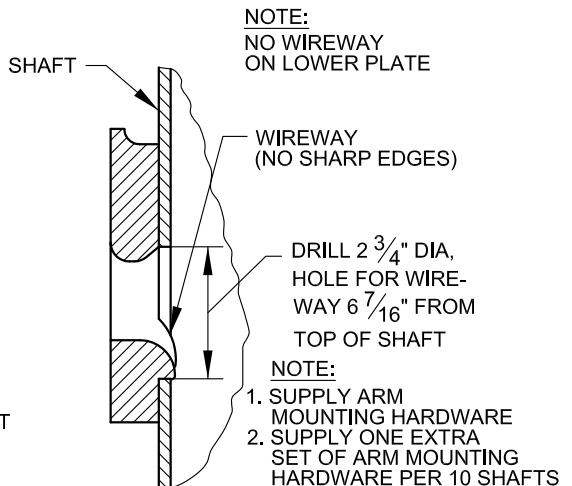
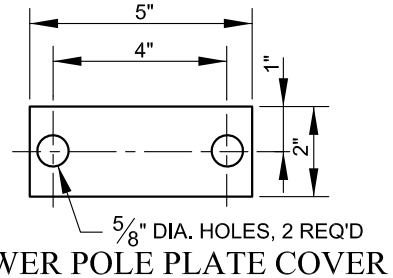
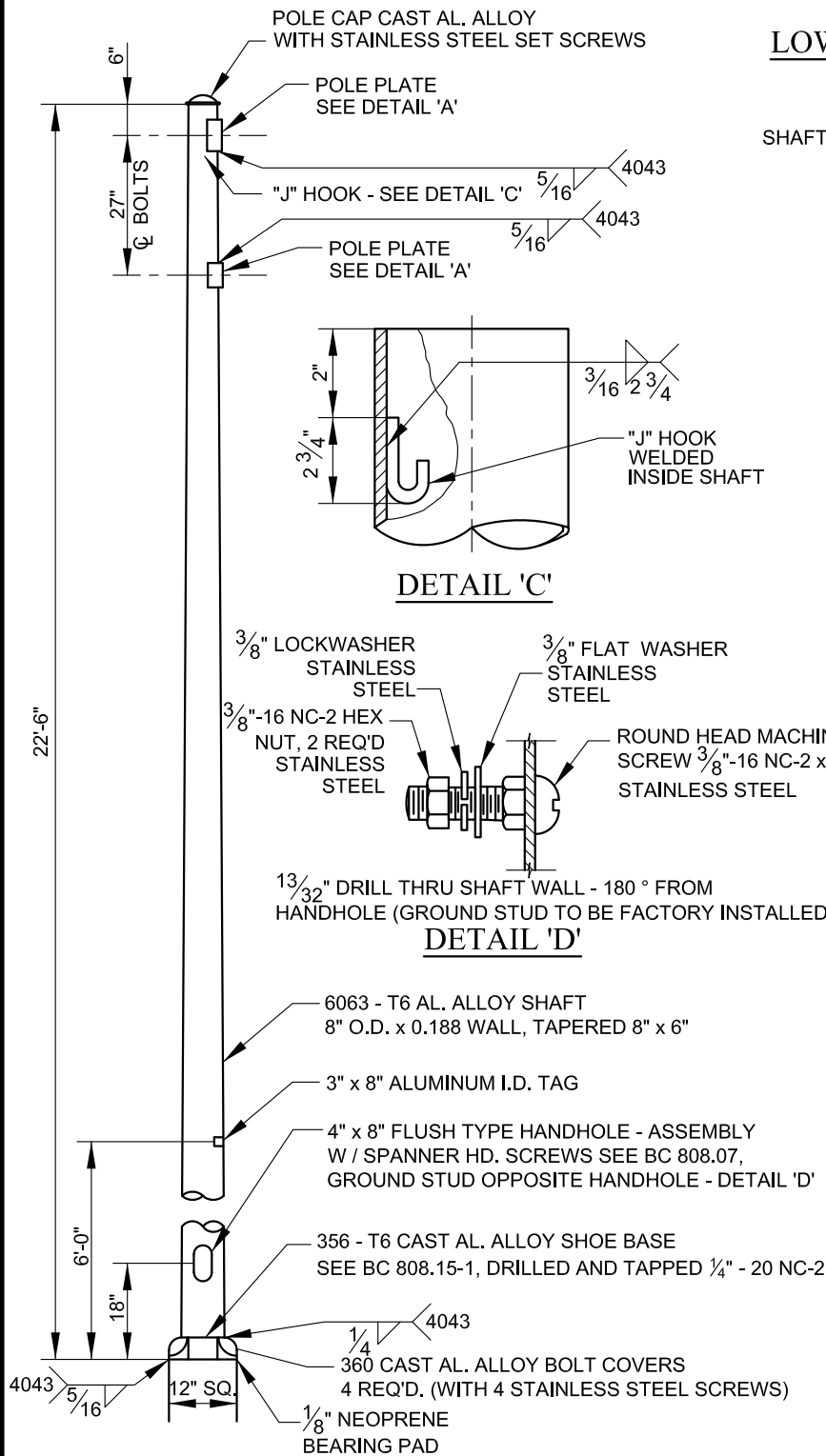


NOTE:
6063 ASSEMBLY .375 WALL OR LESS
TO BE HEAT TREATED AFTER WELDING

8" x 6" x 22'-6" 0.188 WALL THICKNESS



APPROVED:
Primal Dev...
DIVISION CHIEF, TRANSPORTATION ENGINEERING AND CONSTRUCTION
Khali Z...
DIRECTOR, DEPARTMENT OF TRANSPORTATION

CITY OF BALTIMORE
DEPARTMENT OF TRANSPORTATION
TRANSPORTATION ENGINEERING AND CONSTRUCTION
**TYPICAL LIGHT STANDARD
25' AW POLE**

ISSUED	REVISED	REVISED
8 / 2010		
STANDARD NO. BC 808.01		
SCALE : NONE	SHEET 1 OF 1	