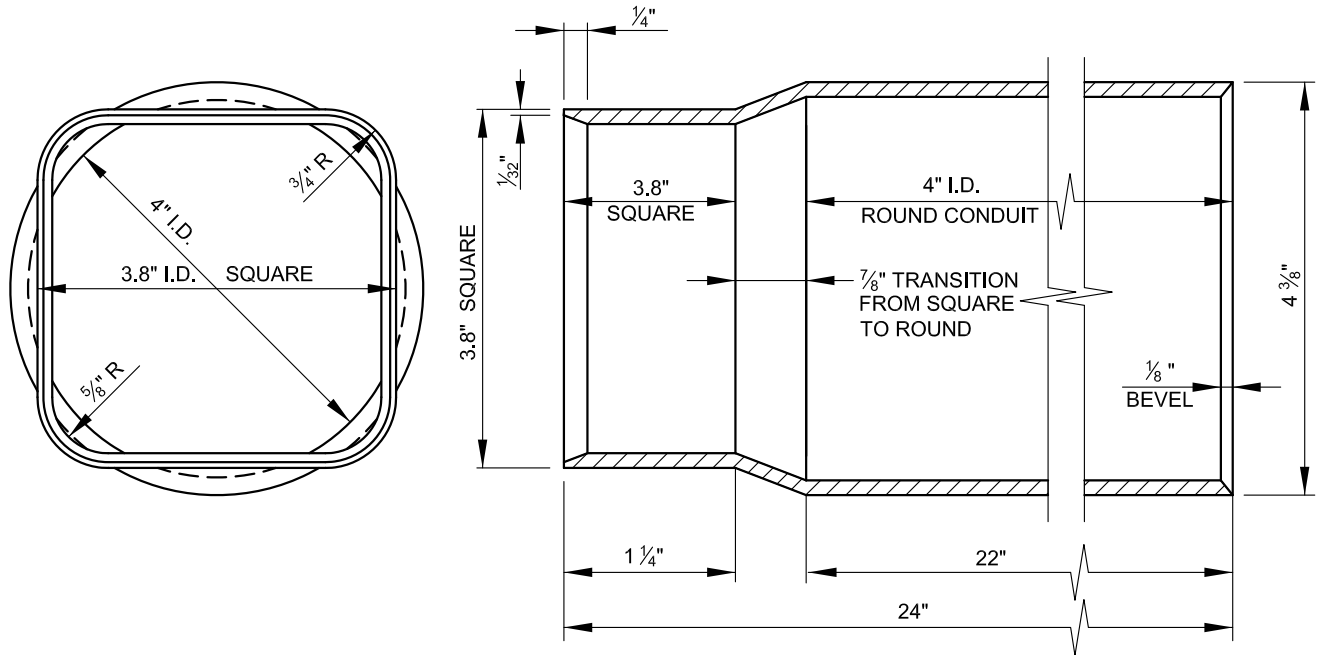


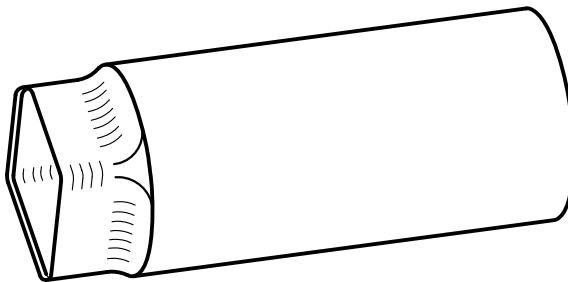
# SQUARE BORE ADAPTER 3 3/4" TO 4"


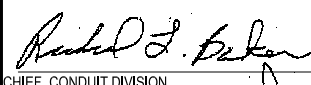
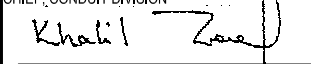


## SQUARE BORE ADAPTER

USED TO CONVERT FROM "SQUARE" 3 3/4" ± TILE DUCT TO 4" ROUND P.V.C. PLASTIC DUCT.

MADE OF P.V.C. PLASTIC IN ACCORDANCE TO THESE SPECIFICATIONS, A.S.T.M. F 512, RATING 90°C



	APPROVED:  CHIEF, CONDUIT DIVISION  DIRECTOR, DEPARTMENT OF TRANSPORTATION	CITY OF BALTIMORE DEPARTMENT OF TRANSPORTATION CONDUIT DIVISION	ISSUED 8 / 2010	REVISED	REVISED
	CONDUIT SQUARE BORE ADAPTER		STANDARD NO. BC 802.03-2		
			SCALE : NONE	SHEET 2 OF 4	