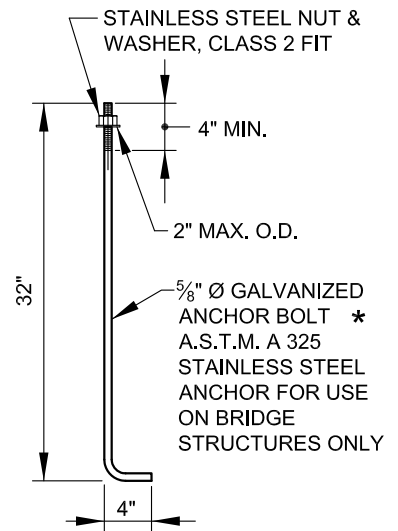
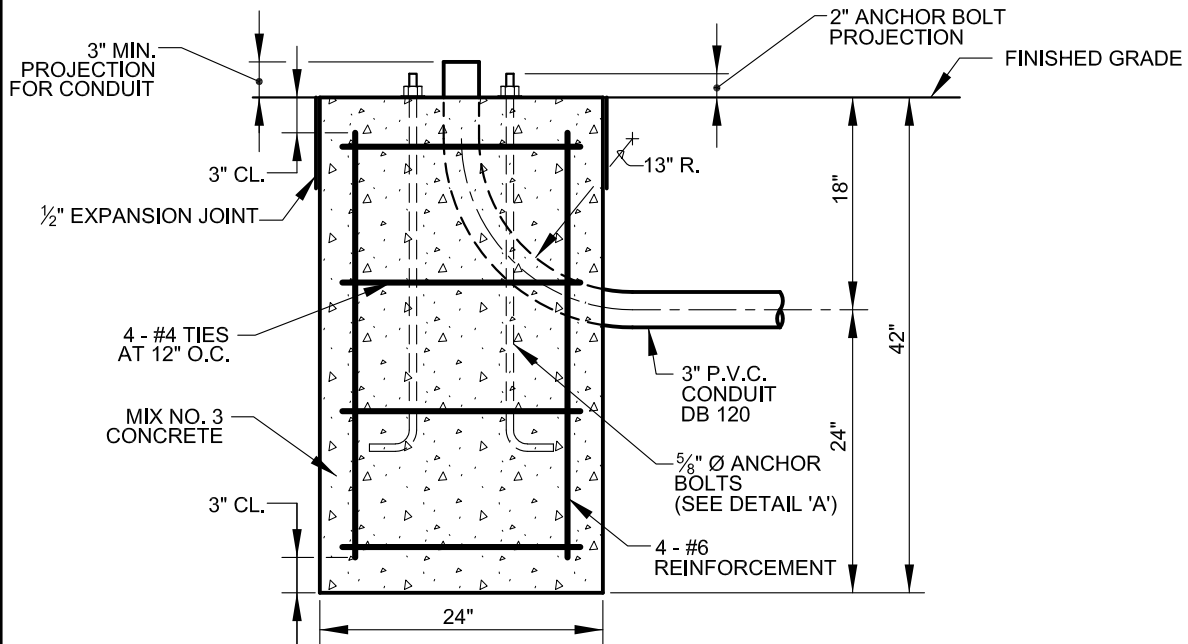


PLAN



DETAIL 'A'



ELEVATION

* ANCHOR BOLTS TO BE SUPPLIED WITH ONE HEX NUT & ONE WASHER, EACH TO BE STAINLESS STEEL



APPROVED:
Primal Devita
 DIVISION CHIEF, TRANSPORTATION ENGINEERING AND CONSTRUCTION
Khalil Zare
 DIRECTOR, DEPARTMENT OF TRANSPORTATION

CITY OF BALTIMORE
 DEPARTMENT OF TRANSPORTATION
 TRANSPORTATION ENGINEERING AND CONSTRUCTION

BOLTON HILL, FELS POINT
 AND OTTERBEIN BASE

ISSUED	REVISED	REVISED
8 / 2010		
STANDARD NO. BC 801.07		
SCALE : NONE	SHEET 1 OF 1	