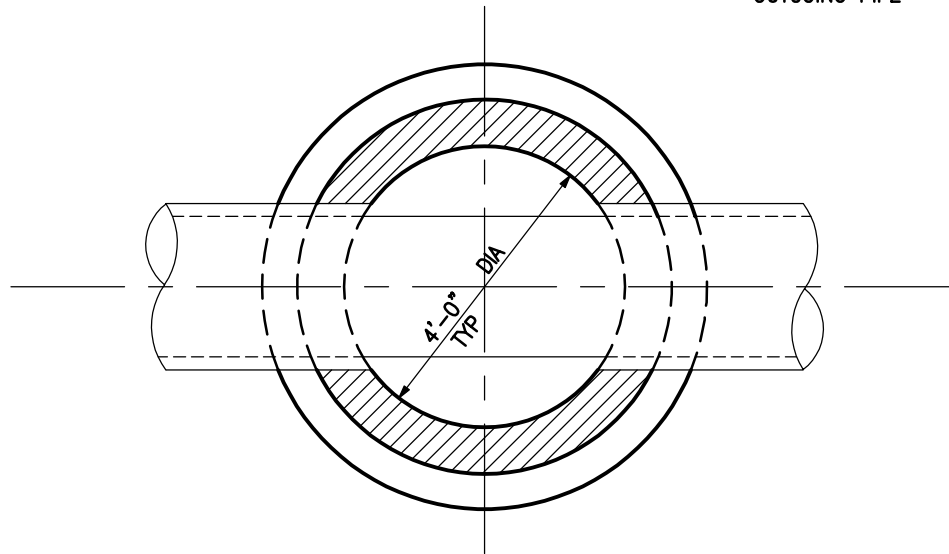
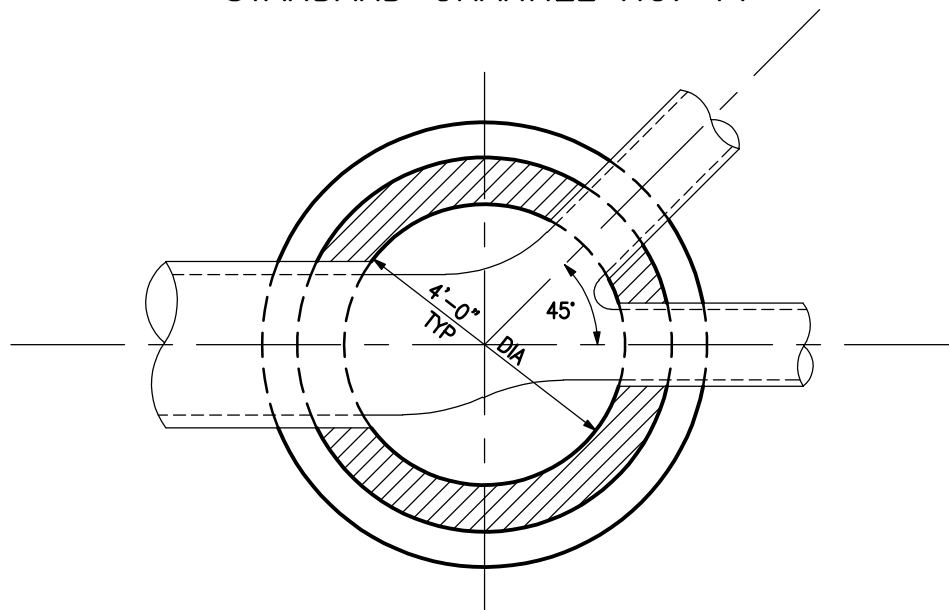


**NOTE:**

BENCH HEIGHT ABOVE OUTGOING PIPE  
INVERT TO BE EQUAL TO DIAMETER OF  
OUTGOING PIPE



STANDARD CHANNEL NO. 11



STANDARD CHANNEL NO. 12



APPROVED :  
*[Signature]*  
HEAD, BUREAU OF WATER AND WASTEWATER  
*[Signature]*  
DIRECTOR, DEPARTMENT OF PUBLIC WORKS

CITY OF BALTIMORE  
DEPARTMENT OF PUBLIC WORKS  
BUREAU OF WATER AND WASTEWATER  
  
TYPICAL MANHOLE CHANNELS  
STANDARD CHANNEL NO. 11  
STANDARD CHANNEL NO. 12

ISSUED	REVISED	REVISED
3 / 2008		
<b>STANDARD NO. BC 383.35</b>		
SCALE : NONE		SHEET 1 OF 1