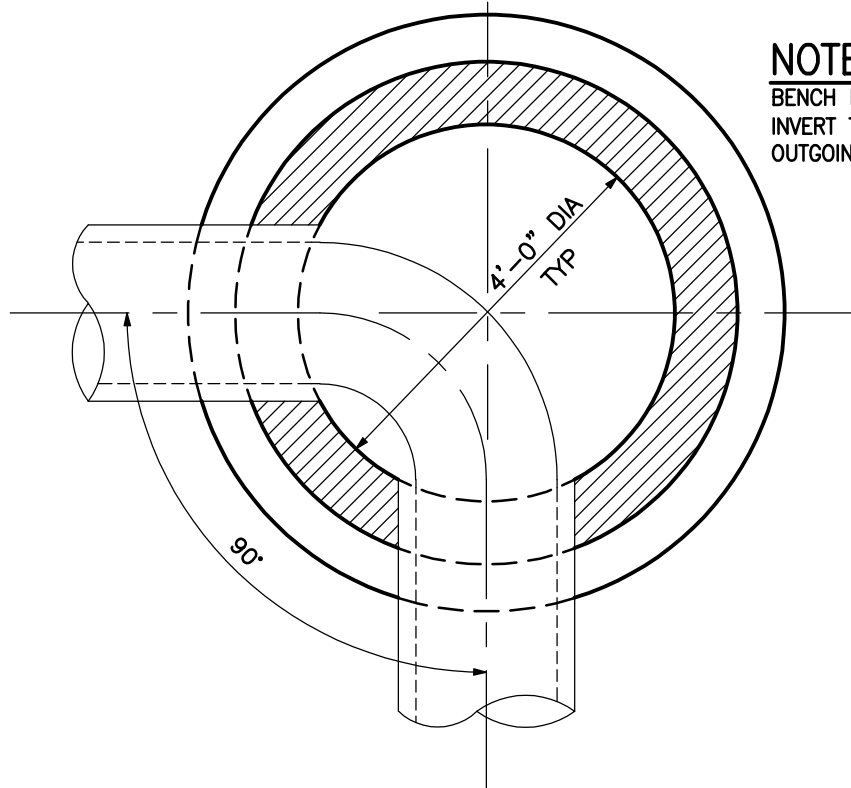
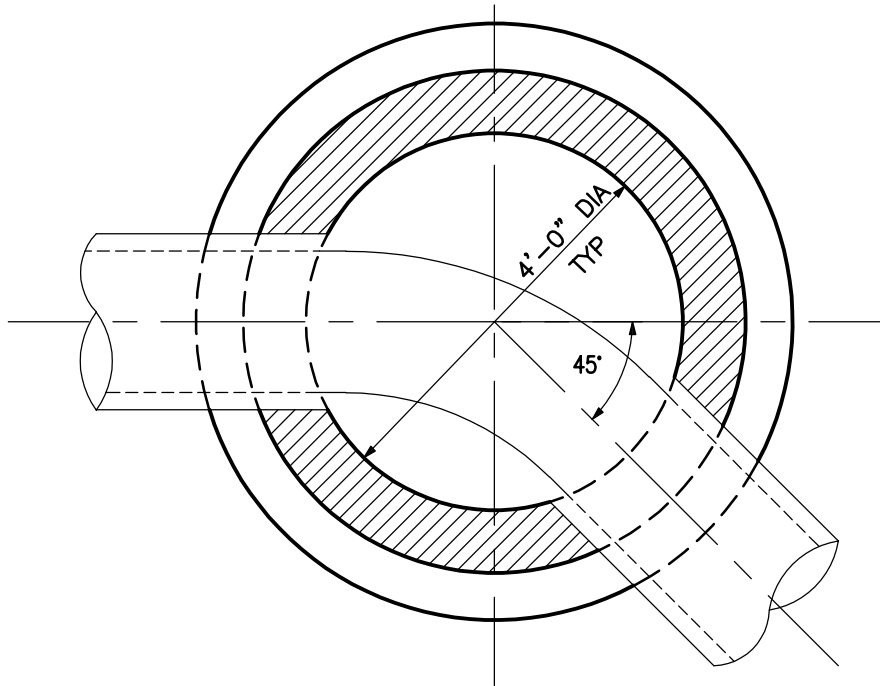


**NOTE:**



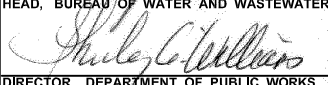
BENCH HEIGHT ABOVE OUTGOING PIPE  
INVERT TO BE EQUAL TO DIAMETER OF  
OUTGOING PIPE



**STANDARD CHANNEL NO. 6**  
(FOR 18", 21" AND 24" PIPE SEWERS)



**STANDARD CHANNEL NO. 7**

	APPROVED :  HEAD, BUREAU OF WATER AND WASTEWATER	CITY OF BALTIMORE DEPARTMENT OF PUBLIC WORKS BUREAU OF WATER AND WASTEWATER	ISSUED	REVISED	REVISED
	DIRECTOR, DEPARTMENT OF PUBLIC WORKS 		TYPICAL MANHOLE CHANNELS STANDARD CHANNEL NO. 6 STANDARD CHANNEL NO. 7	3 / 2008	
	<b>STANDARD NO. BC 383.33</b>			SCALE : NONE	SHEET 1 OF 1