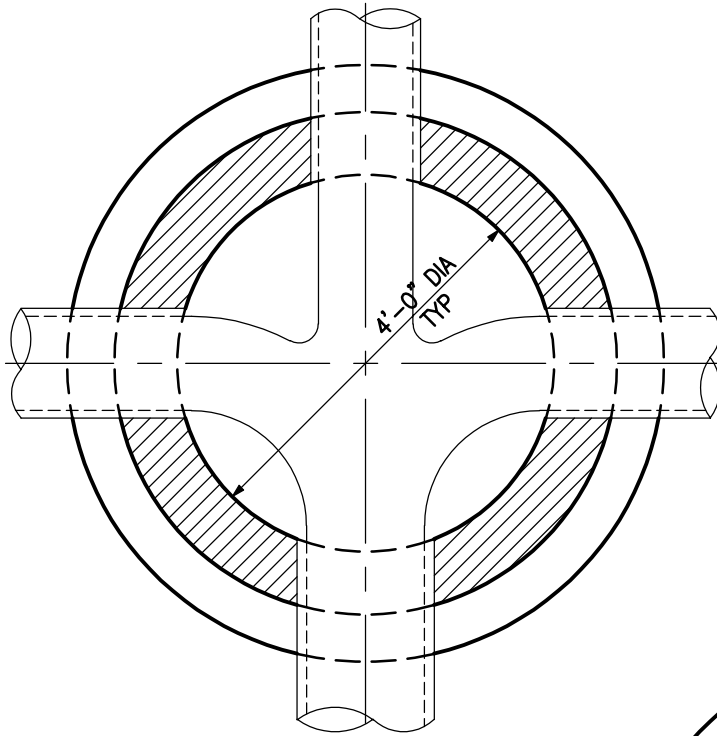
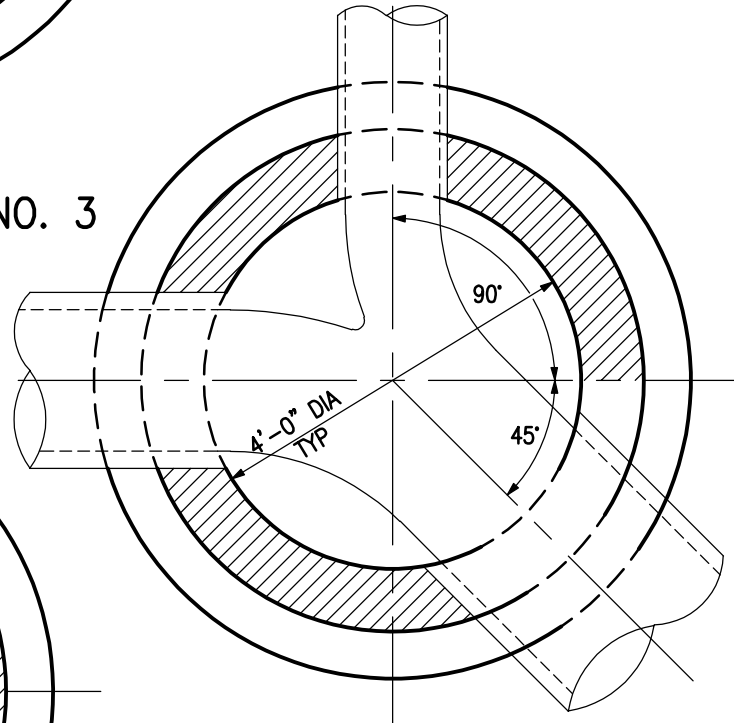


NOTE:

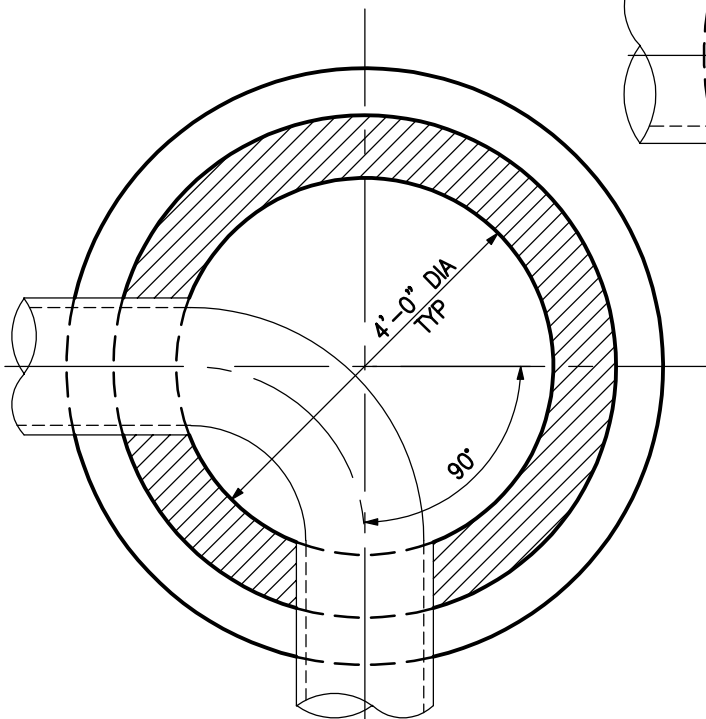
BENCH HEIGHT ABOVE OUTGOING PIPE
INVERT TO BE EQUAL TO DIAMETER OF
OUTGOING PIPE




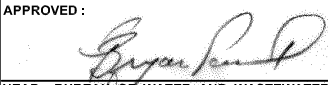

STANDARD CHANNEL NO. 3



STANDARD CHANNEL NO. 4



STANDARD CHANNEL NO. 5
(FOR 8", 10", 12", AND 15" PIPE SEWERS)

	APPROVED:  HEAD, BUREAU OF WATER AND WASTEWATER	CITY OF BALTIMORE DEPARTMENT OF PUBLIC WORKS BUREAU OF WATER AND WASTEWATER TYPICAL MANHOLE CHANNELS STANDARD CHANNEL NO. 3 STANDARD CHANNEL NO. 4 STANDARD CHANNEL NO. 5	ISSUED	REVISED	REVISED
	 DIRECTOR, DEPARTMENT OF PUBLIC WORKS		3 / 2008		
			STANDARD NO. BC 383.32		