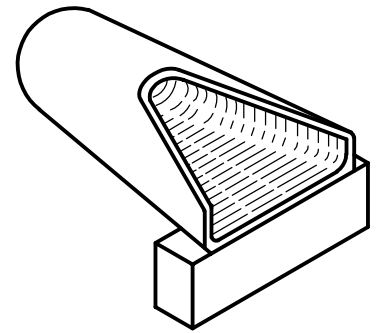
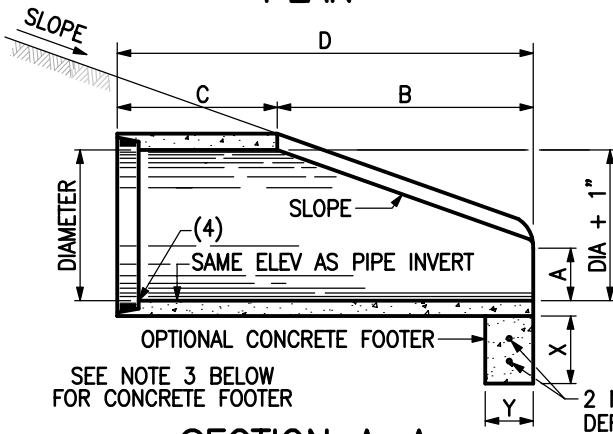


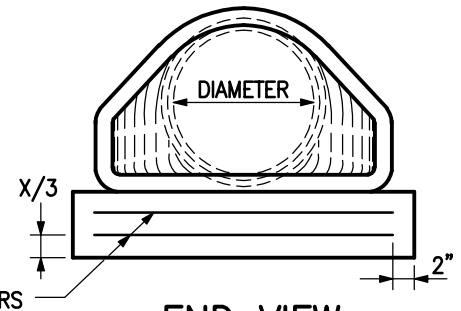
PLAN



ISOMETRIC VIEW



SECTION A-A






END VIEW

NOTES:

1. CONTRACTOR HAS OPTION OF FURNISHING END SECTIONS CONFORMING TO DETAILS ON THIS SHEET OR END SECTIONS CONFORMING TO DETAILS ON STANDARD BC 368.01.
2. END SECTIONS MUST BE REINFORCED TO CONFIRM WITH CLASS IV PIPE.
3. CONCRETE FOOTER SHALL BE USED WHEN SPECIFIED ON THE PLANS. COST OF CONCRETE FOOTER TO BE INCLUDED IN PRICE OF END SECTION. CONCRETE TO BE MIX 2. REINFORCEMENT TO BE NO. 3 BARS.
4. INVERT ELEVATION TO BE AT THE PIPE END OF THE STANDARD END SECTION. ELEVATIONS TO BE NOTED ON THE CONSTRUCTION PLANS.

CONCRETE END SECTION							CONCRETE FOOTER				
DIMENSIONS							DIMENSIONS			QUANTITIES	
D INCHES	SLOPE	A	B	C	D	E	W	X	Y	CONC CY	STEEL LBS
12	3:1	4"	2'-0"	4'-0 7/8"	6'-0 7/8"	2'-0"	3'-0"	12"	9"	0.08	24.00
15	3:1	6 1/2"	2'-4"	3'-10"	6'-2"	2'-6"	3'-6"	12"	9"	0.10	28.50
18	3:1	10 1/4"	2'-2"	4'-0"	6'-2"	3'-0"	4'-0"	12"	9"	0.11	33.00
21	3:1	9"	3'-0"	3'-1 1/2"	6'-1 1/2"	3'-6"	4'-6"	12"	9"	0.13	37.50
24	3:1	11"	3'-7"	2'-8"	6'-3"	4'-0"	5'-0"	15"	9"	0.17	42.00
27	3:1	10 1/2"	4'-1 1/2"	2'-0"	6'-1 1/2"	4'-6"	5'-6"	15"	9"	0.19	46.50
30	3:1	1'-1"	4'-5"	1'-10"	6'-3"	5'-0"	6'-0"	15"	9"	0.21	51.00
33	3:1	1'-2"	4'-7"	2'-2"	6'-9"	5'-6"	6'-6"	15"	9"	0.23	55.50
36	3:1	1'-3 1/2"	5'-3"	3'-1"	8'-1 1/2"	6'-0"	7'-3"	15"	9"	0.25	62.25
42	3:1	1'-9 1/4"	5'-5"	2'-10"	8'-3"	6'-6"	7'-9"	15"	9"	0.27	66.75
48	3:1	2'-1"	6'-0"	2'-2"	8'-2"	7'-0"	8'-6"	18"	12"	0.47	73.50
54	2.4:1	2'-5"	5'-2"	2'-10"	8'-0"	7'-6"	9'-0"	18"	12"	0.50	78.00

NOTE: QUANTITIES IN TABLE TO BE USED FOR ESTIMATING ONLY

	APPROVED:  HEAD, BUREAU OF WATER AND WASTEWATER	CITY OF BALTIMORE DEPARTMENT OF PUBLIC WORKS BUREAU OF WATER AND WASTEWATER	ISSUED	REVISED	REVISED		
	 DIRECTOR, DEPARTMENT OF PUBLIC WORKS		CONCRETE END SECTION CIRCULAR PIPE OPTION NO. 2			3 / 2008	
				STANDARD NO. BC 368.02			
			SCALE: NONE		SHEET 1 OF 1		