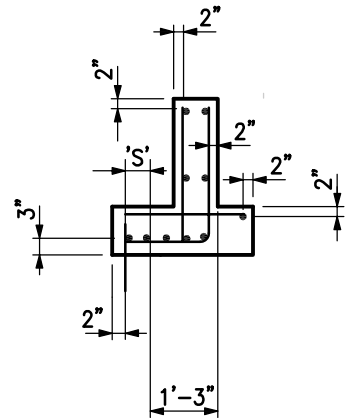
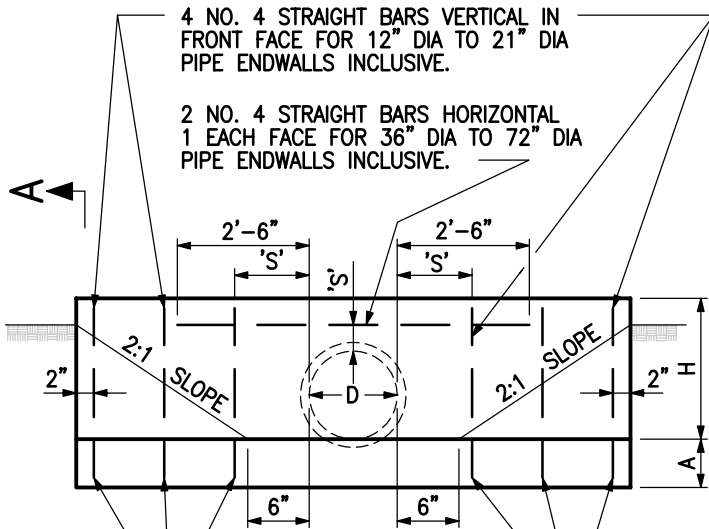


PLAN



DISPOSITION OF BARS DETAIL



ELEVATION

NO. 4 STRAIGHT BARS HORIZONTAL @ 1'-7" MAX CC BOTH FACES- TOP AND BOTTOM BARS TO BE FULL LENGTH- ALL ENDWALLS.

NO. 4 STRAIGHT BARS HORIZONTAL @ 1'-0" CC BOTH SIDES OF OPENING FOR 36" DIA TO 72" DIA PIPE ENDWALLS INCLUSIVE.

NO. 4 BENT BARS @ 1'-0" CC ALL ENDWALLS.

1 1/2 :1 TO 4:1 SLOPE

PROVIDE RIPRAP OR GABIONS TO PREVENT SCOUR AT TOEWALL (COST SEPARATE)

SEE NOTES

3'-0" (MIN)

GEOTEXTILE

2 NO. 4 STRAIGHT BARS HORIZONTAL FOR 36" DIA TO 72" DIA PIPE ENDWALLS INCLUSIVE.

1 NO. 4 STRAIGHT BAR HORIZONTAL- ALL ENDWALLS.

SECTION A-A

NOTES:

1. SPECIFICATIONS: LATEST DPW
2. CONCRETE SHALL BE MIX 3
3. REINFORCING: DEFORMED STEEL BARS NO. 4
4. CHAMFER: ALL EXPOSED EDGES 1"x1" OR AS DIRECTED
5. SCOUR PROTECTION: FINAL LIMITS TO BE DETERMINED BY ENGINEER



APPROVED: *[Signature]*
 HEAD, BUREAU OF WATER AND WASTEWATER
[Signature]
 DIRECTOR, DEPARTMENT OF PUBLIC WORKS

CITY OF BALTIMORE
 DEPARTMENT OF PUBLIC WORKS
 BUREAU OF WATER AND WASTEWATER

TYPE 'C' ENDWALL CIRCULAR
 AND ELLIPTICAL PIPE

ISSUED	REVISED	REVISED
3 / 2008		

STANDARD NO.
 BC 354.02

SCALE : NONE SHEET 1 OF 2