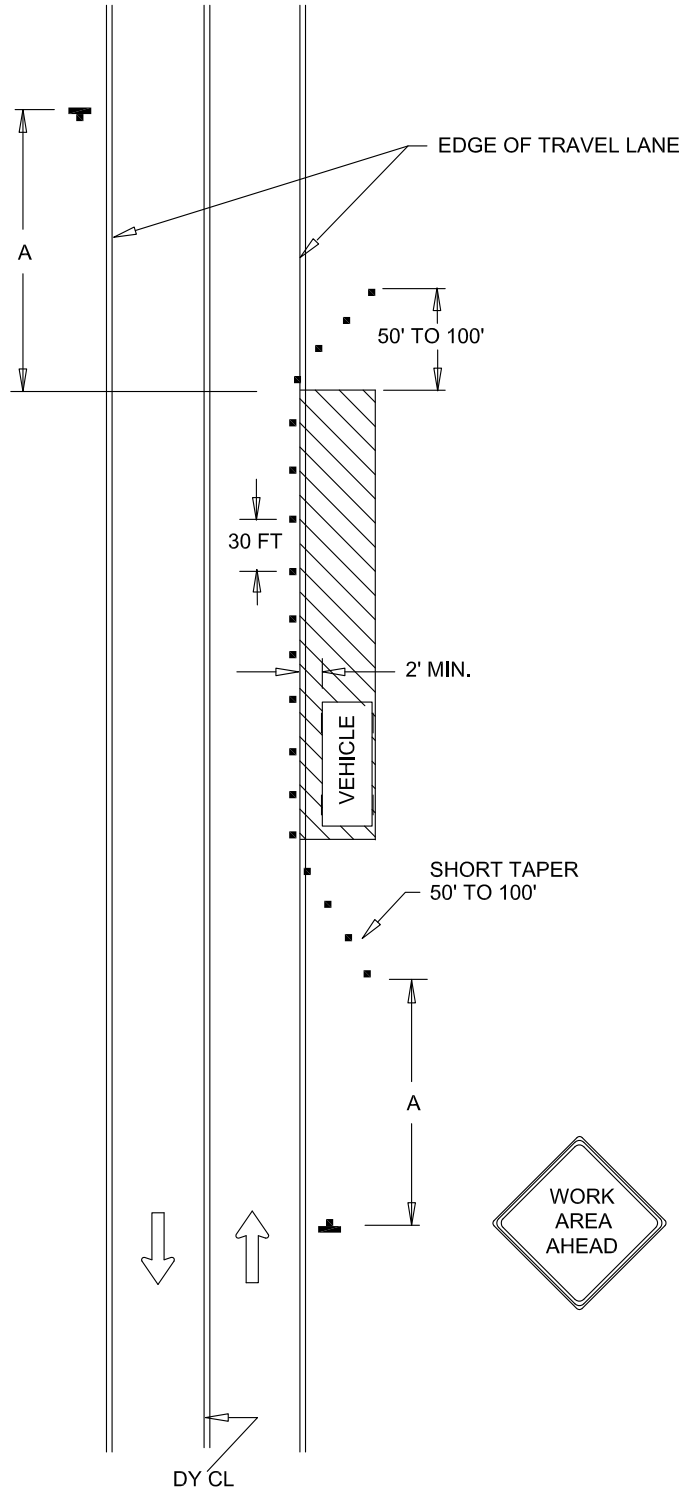


**NOTED**

REFER TO BC 104.01-4 FOR SIGN  
SPACING, TAPER AND BUFFER  
LENGTHS

ALL WORK ACTIVITY TO BE OFF THE  
TRAVELED PORTION OF ROADWAY

THE WORK AREA AHEAD SIGN  
SHOULD BE REPLACED WITH  
SHOULDER WORK SIGN FOR  
WORK SITE LOCATIONS ON  
THE SHOULDER



**LEGEND**

- DIRECTION OF TRAFFIC
- SIGN
- WORK SITE
- CHANNELIZING DEVICES



APPROVED:  
*Frank Murphy*  
DEPUTY DIRECTOR - OPERATIONS  
*Khali Zane*  
DIRECTOR, DEPARTMENT OF TRANSPORTATION

CITY OF BALTIMORE  
DEPARTMENT OF TRANSPORTATION  
TRAFFIC DIVISION

**TRAFFIC CONTROL FOR  
WORK ACTIVITY  
OFF THE ROAD**

ISSUED	REVISED	REVISED
8 / 2010		
STANDARD NO. BC 111.01		
SCALE : NONE	SHEET 1 OF 1	